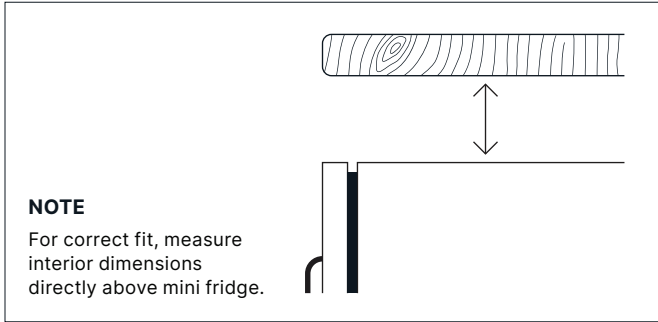


Installation Guide





**TOOLS REQUIRED**

Hands, Wrench (Optional), Logic (Mandatory)

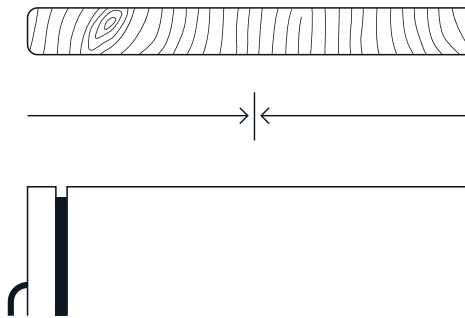
**AVAILABLE SIZING**

Large	3" Stem	Extension Range 5 <sup>3</sup> / <sub>8</sub> "–6 <sup>5</sup> / <sub>8</sub> "
Medium	2" Stem	Extension Range 4 <sup>3</sup> / <sub>8</sub> "–5 <sup>5</sup> / <sub>8</sub> "
Small	1" Stem	Extension Range 3 <sup>1</sup> / <sub>2</sub> "–4 <sup>1</sup> / <sub>8</sub> "
Mini*	5/8" Stem	Extension Range 1 <sup>1</sup> / <sub>2</sub> "–2"

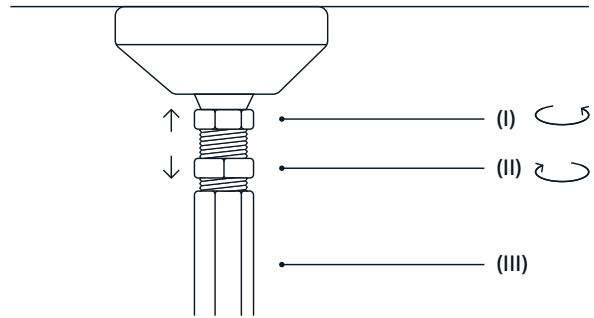
**Custom sizing is available. Please contact us.**

\*For installation of Fridgestop Mini, omit step 2

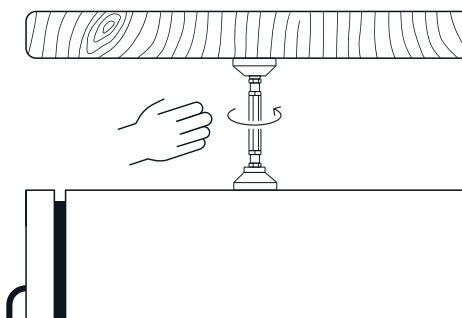
① Locate centre point of mini-fridge and cabinet.



② Once in position, turn the UPPER fridgestop (I) counter-clockwise to its full extension. Then, turn the UPPER Locking Nut (II) clockwise until it reaches the middle cylinder (III).



③ Turn the middle cylinder (counter clockwise) by hand or with a wrench to fully tighten.



④ Test to make sure the mini-fridge is locked in place. If movement continues, tighten Fridgestop further.

